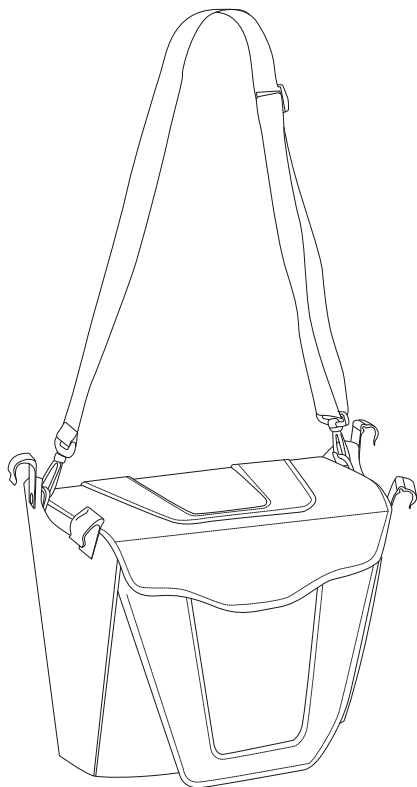


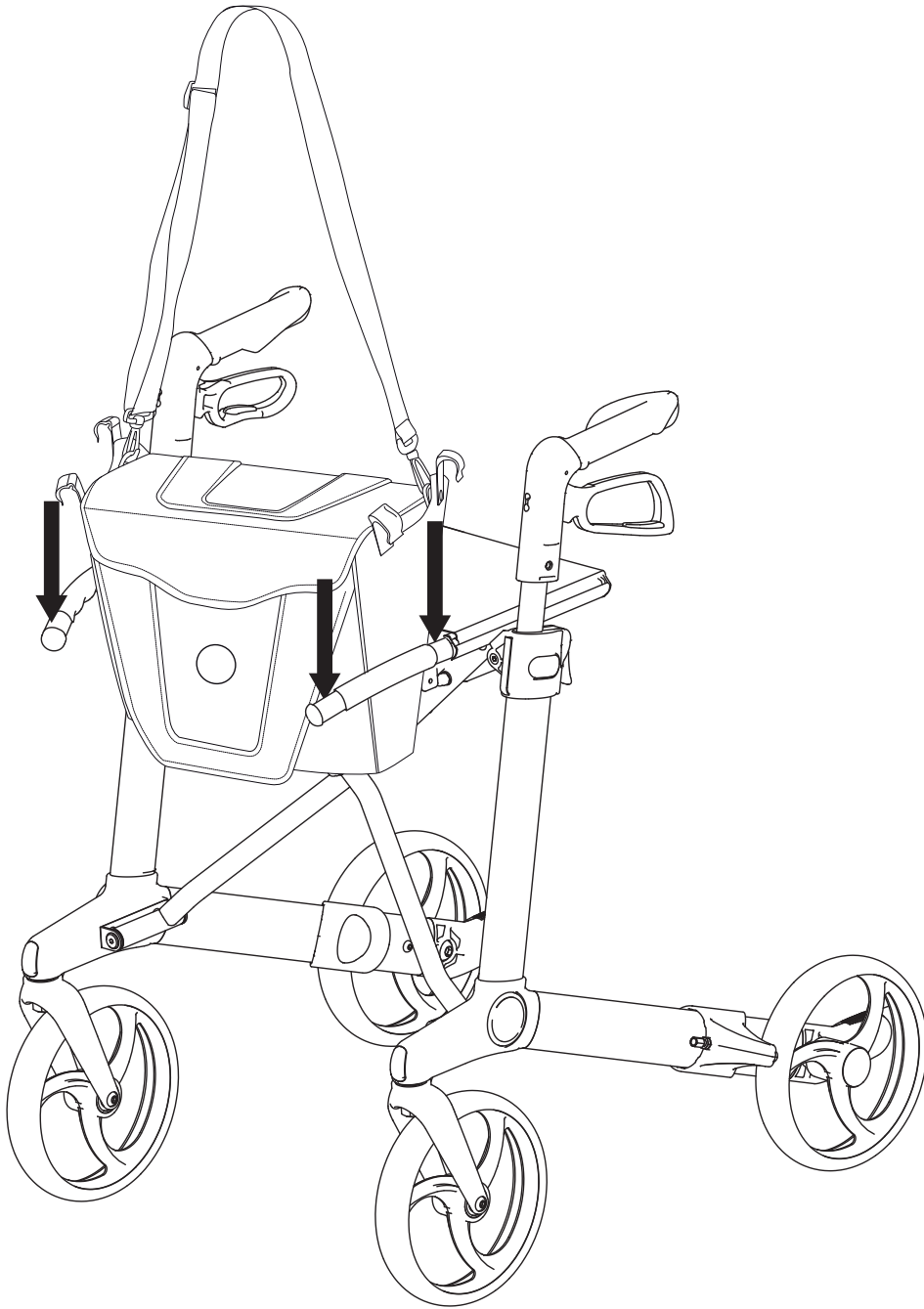
# ASSEMBLY INSTRUCTION

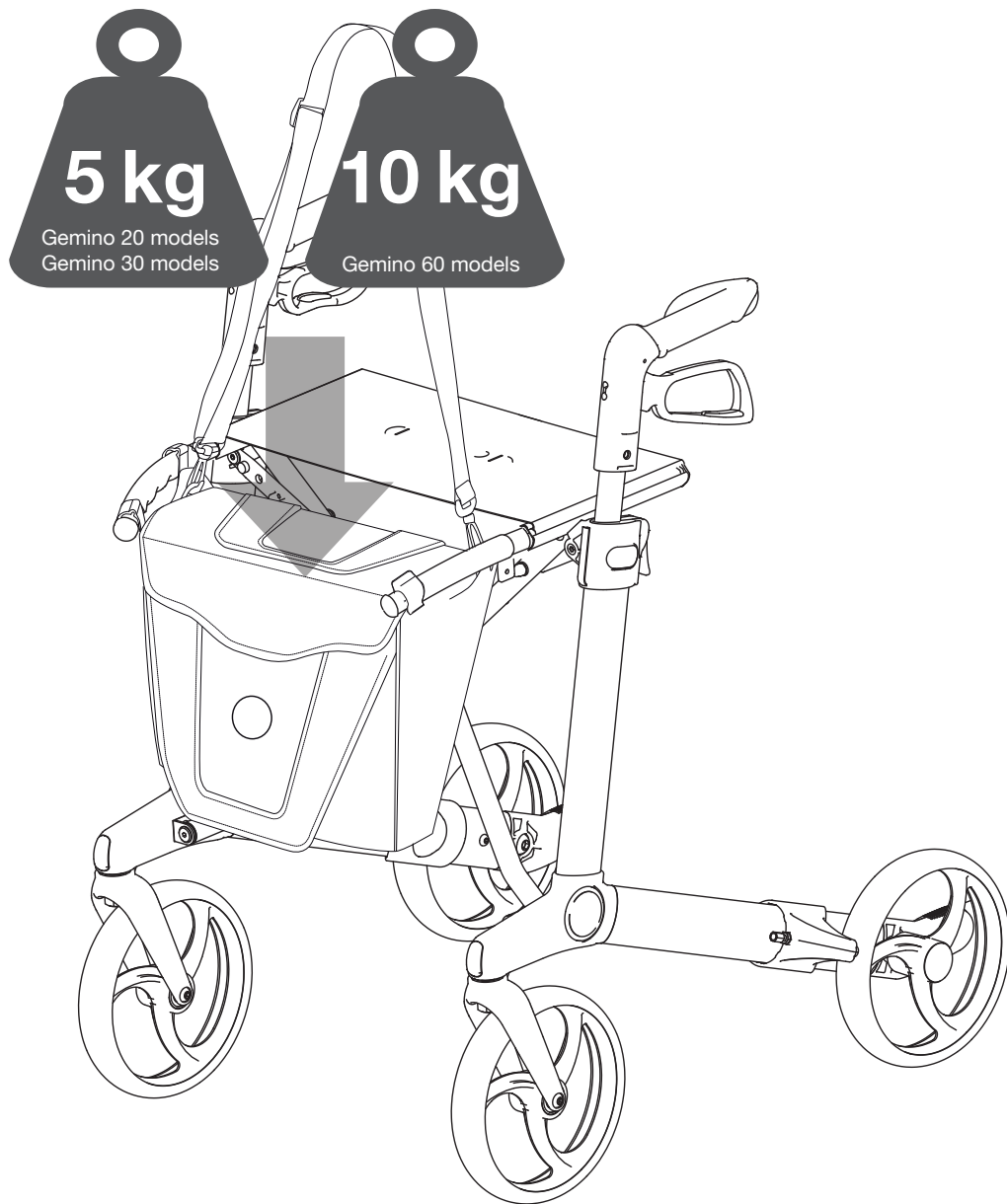
## Bag, advanced



| Description                 |   | Article number           |         |
|-----------------------------|---|--------------------------|---------|
| Bag, advanced, Black,       | Gemino 30/30M models, Gemino 20/ 20M models, Gemino 60 models | <input type="checkbox"/> | 7104006 |
| Bag, advanced, Black,       | Gemino 30S models, Gemino 20S                                 | <input type="checkbox"/> | 7104007 |
| Bag, advanced, Blue/Black,  | Gemino 30/30M models, Gemino 20 /20M models, Gemino 60 models | <input type="checkbox"/> | 7104022 |
| Bag, advanced, Pink/Black,  | Gemino 30/30M models, Gemino 20 /20M models, Gemino 60 models | <input type="checkbox"/> | 7104023 |
| Bag, advanced, Brown/Black, | Gemino 30/30M models, Gemino 20 /20M models, Gemino 60 models | <input type="checkbox"/> | 7104024 |
| Bag, advanced, Grey/Black,  | Gemino 30/30M models, Gemino 20 /20M models, Gemino 60 models | <input type="checkbox"/> | 7104025 |

# GEMINO







Sunrise Medical HCM B.V.  
Vossenbeemd 104  
5705 CL Helmond  
The Netherlands

T: +31 (0)492 593 888  
[customerservice@sunrisemedical.nl](mailto:customerservice@sunrisemedical.nl)  
[www.SunriseMedical.eu](http://www.SunriseMedical.eu)